

Конструкция стартового упора



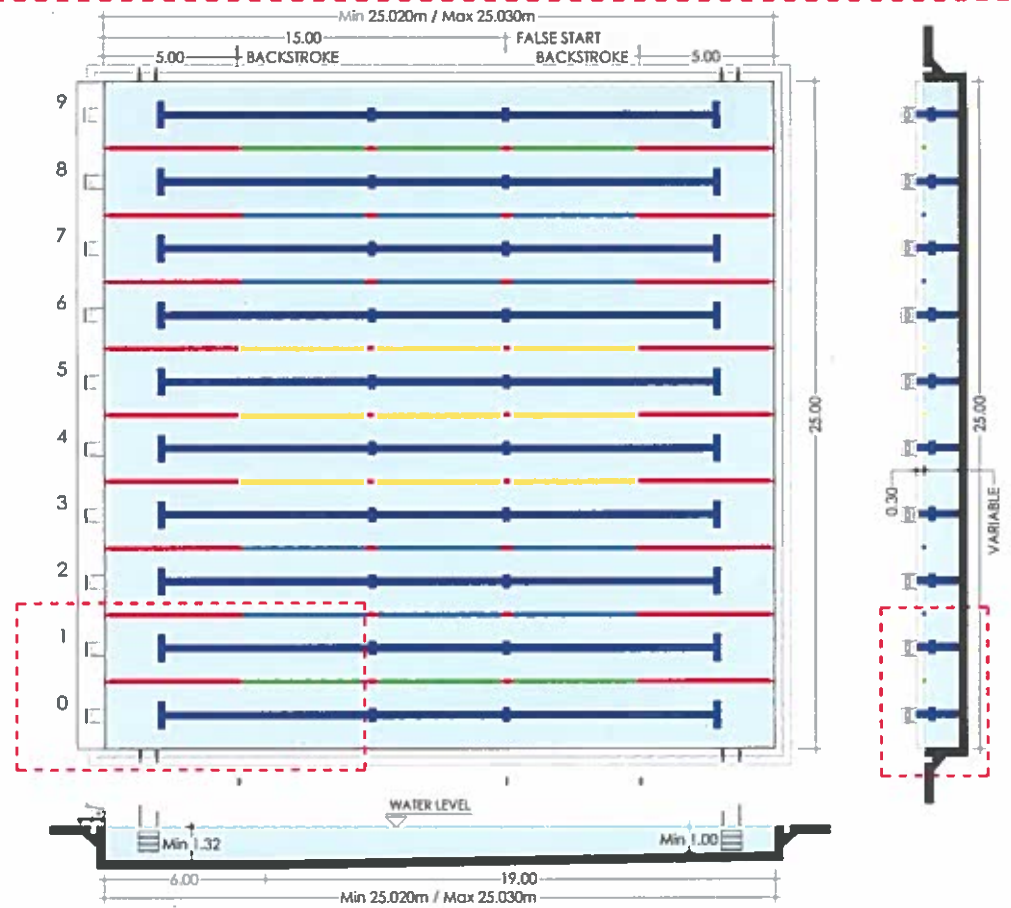
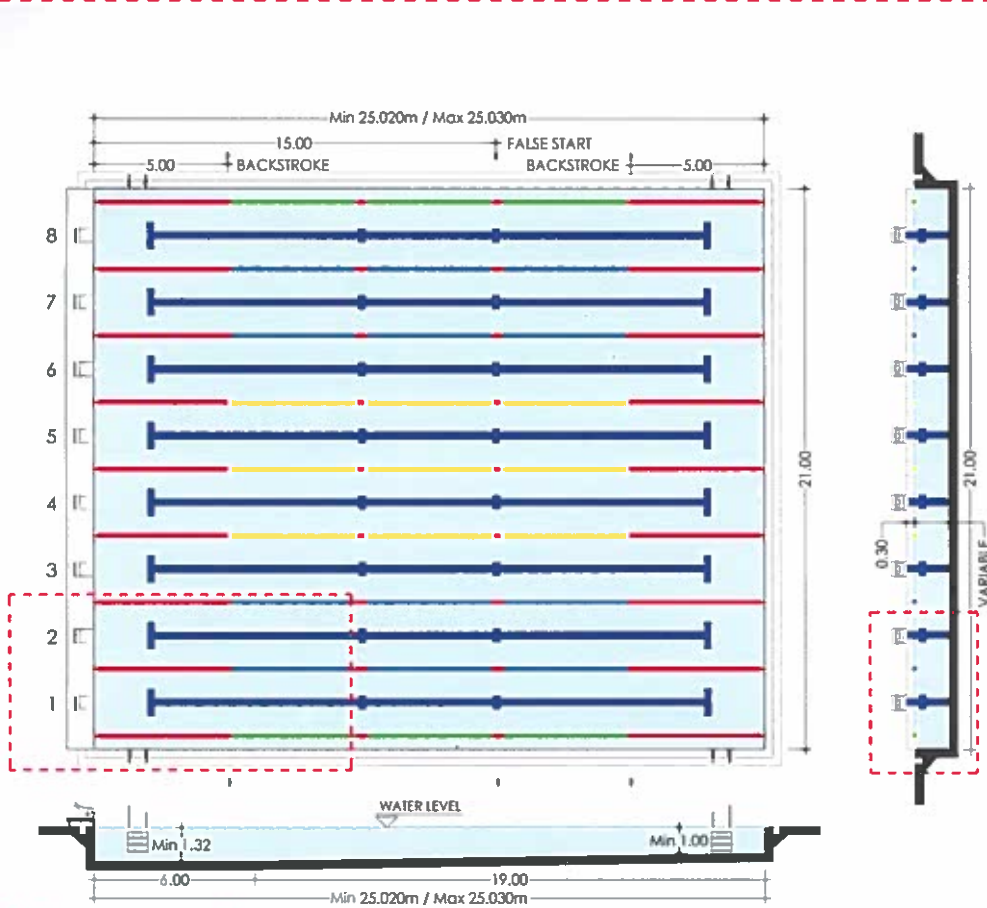


FIG. 2

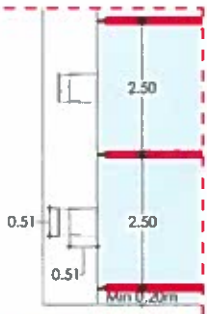


FIG. 3 STARTING PLATFORMS

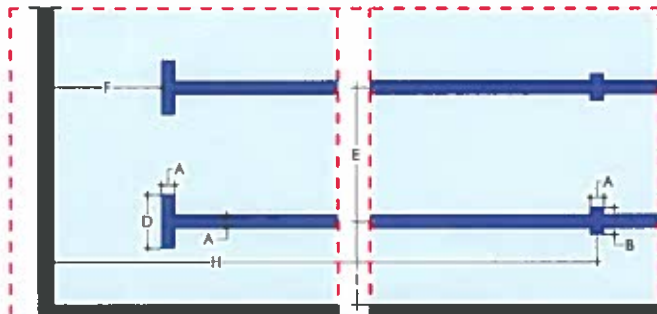


FIG. 4 PLAN LANE MARKINGS

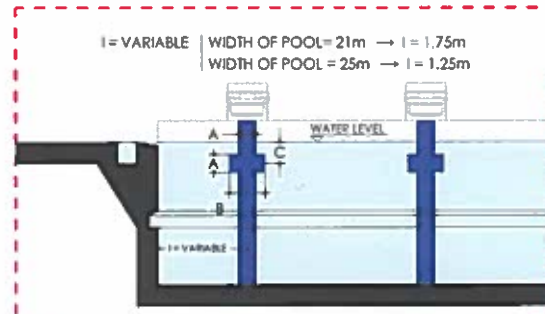


FIG. 5 END WALL LANE MARKINGS

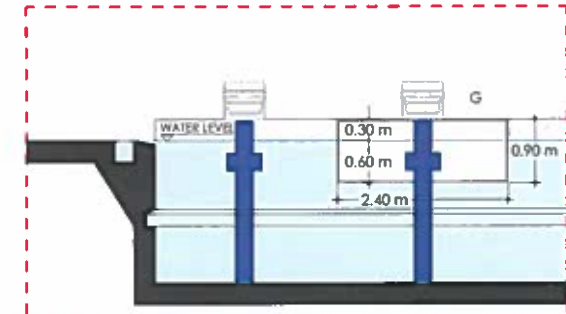


FIG. 6 TOUCH PANEL (2.40m x 0.90m x 0.01m)

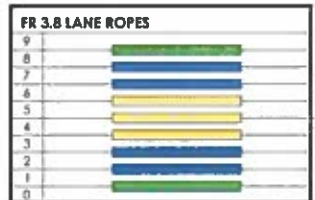


FIG. 7

FR 2.14 FINA LANE MARKINGS

WIDTH OF LANE MARKINGS, END, LINES, TARGETS	A	0.25m ± 0.05m
LENGTH OF END WALL TARGETS	B	0.50m
DEPTH TO CENTRE OF END WALL TARGETS	C	0.30m
LENGTH OF LANE MARKER CROSS LINE	D	1.00m
WIDTH OF RACING LANES	E	2.50m
DISTANCE FROM END OF LANE LINE TO END WALL	F	2.00m
TOUCH PAD	G	2.40m x 0.90m x 0.01m
DIST. FROM CENTRE OF CROSS LINE TO END WALL	H	15.00m

FIG. 8

FACILITIES
Reviewed May 1, 2013

25m SWIMMING POOL
DIAGRAMS AND LANE MARKINGS



FIG. 1

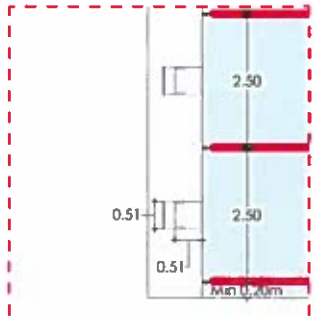


FIG. 3 STARTING PLATFORMS

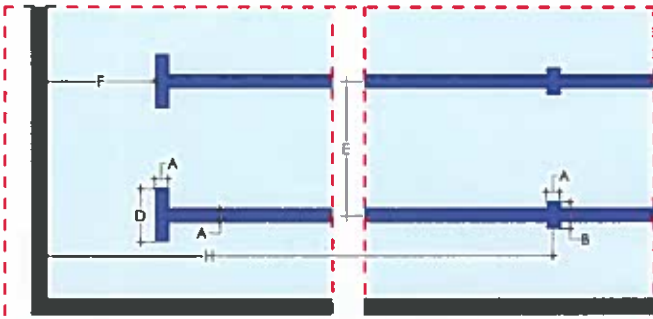


FIG. 6 PLAN LANE MARKINGS

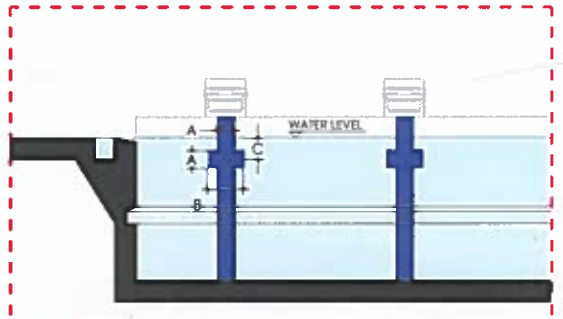


FIG. 7 END WALL LANE MARKINGS

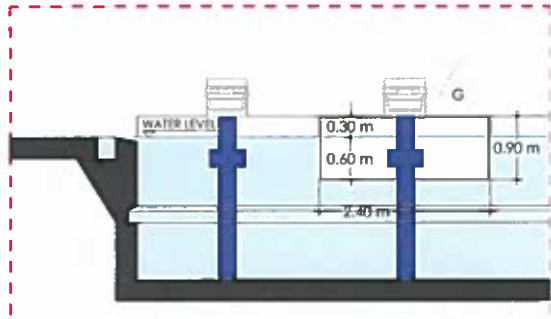


FIG. 8 TOUCH PANEL (2.40m x 0.90m x 0.01m)

FR 3.8 LANE ROPES

9	Green
8	Blue
7	Blue
6	Blue
5	Yellow
4	Yellow
3	Blue
2	Blue
1	Blue
0	Green

FIG. 4

FR 2.14 FINA LANE MARKINGS

WIDTH OF LANE MARKINGS, END, LINES, TARGETS	A	0.25m ± 0.05m
LENGTH OF END WALL TARGETS	B	0.50m
DEPTH TO CENTRE OF END WALL TARGETS	C	0.30m
LENGTH OF LANE MARKER CROSS LINE	D	1.00m
WIDTH OF RACING LANES	E	2.50m
DISTANCE FROM END OF LANE LINE TO END WALL	F	2.00m
TOUCH PAD	G	2.40m x 0.90m x 0.01m
DIST. FROM CENTRE OF CROSS LINE TO END WALL	H	15.00m

FIG. 5

FACILITIES
Reviewed May 1, 2013

50m SWIMMING POOL FOR OLYMPIC GAMES AND WORLD CHAMPIONSHIPS

DIAGRAMS AND LANE MARKINGS